

Bluetooth LE Module **ME54BS01**



Datasheet

V 1.0.0



Version Note

Version	Details	Contributor(s)	Date	Notes
1.0.0	First edit	Michelle, Leo	2024.10.18	

Part Number

Model	Hardware Code
ME54BS01	1Y15TI

Click the icon to view and download the latest product documents electronically.
https://en.minewsemi.com/file/ME54BS01-nRF54L15_Datasheet_K_EN.pdf



ME54BS01-nRF54L15

Cost-effective, Ultra-low Power Bluetooth Module with BLE 5.4

ME54BS01 is a highly flexible, ultra-low power, cost-effective Bluetooth module based on nRF54L15. Its powerful Arm® Cortex®-M33 CPU, the core running speed of 128Mhz, in addition, it also comes with 1.5MB NVM space, 256 KB RAM. It is also designed for PSA Level 3 certification and has high security protection. The hardware is equipped with an onboard antenna, and the integrated design highlights the higher performance of the nRF54 series and provides more GPIO development and use. At the same time, the ultra-low system power consumption and excellent RF performance as well as other powerful supporting resources can provide a perfect solution for Bluetooth connection.

FEATURES



Bluetooth 5.4



High cost Performance



Ultra-low Power



Hardware support for Bluetooth mesh, Thread, Matter and other protocol development

KEY PARAMETER

ME54BS01

Chip Model	nRF54L15	Antenna	PCB
Module Size	23.2×17.4×2mm	GPIO	19
Flash	1.5MB	RAM	256KB
Receiving Sensitivity	-98dBm	Transmission Power	-8~+8dBm
Current(TX)	0dBm-5mA	Current(RX)	3.2mA

APPLICATION



Smart Home



Computer Accessories



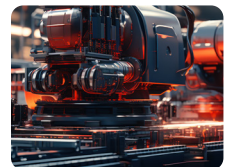
Virtual reality and Augmented reality



Game controllers and Remotes



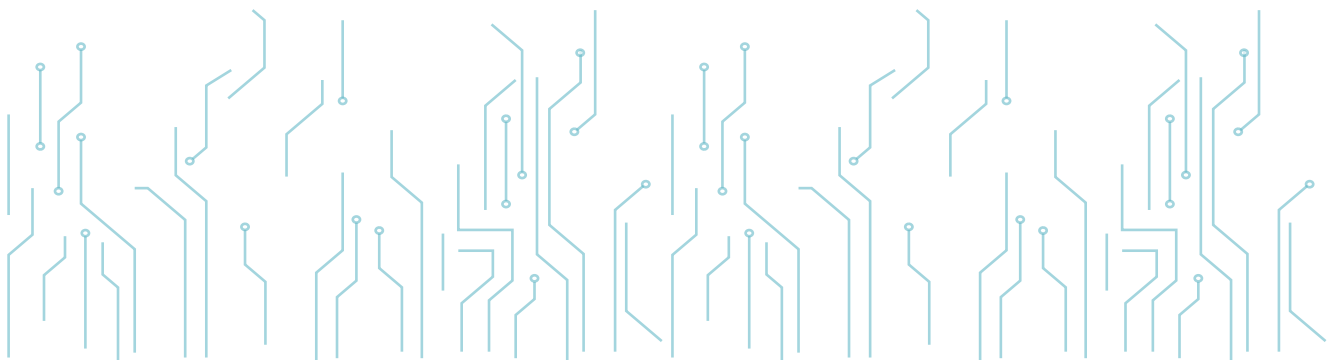
Medical Devices



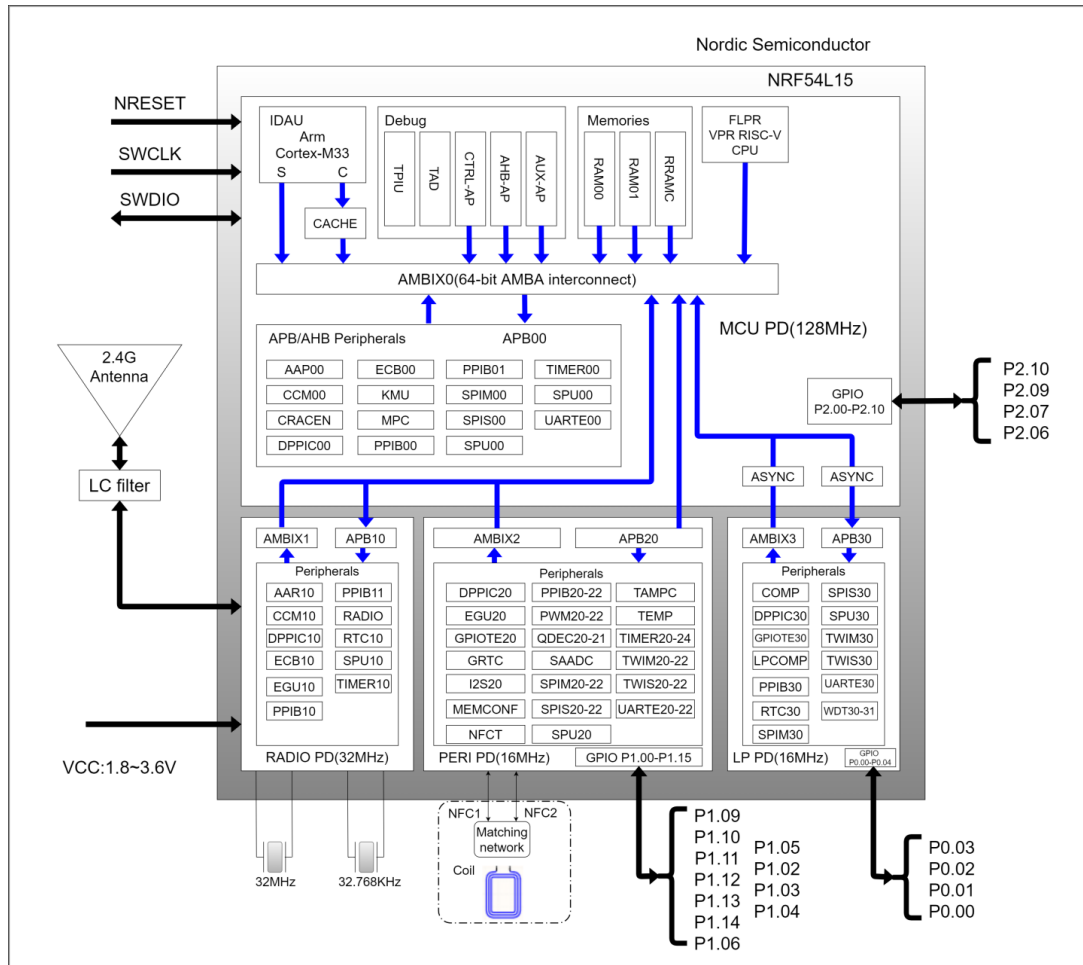
Industrial IoT

INDEX

1.Block Diagram	05
2.Electrical Specification	05
3.Pin Description	06
4.Pin Definition	06
5.Mechanical Drawing	07
6.Electrical Schematic	07
7.PCB Layout	08
8.Reflow and Soldering.....	08
9.Package Information	09
10.Storage Conditions	10
11.Handling Conditions.....	10
12.Quality	10
13.Copyright Statement.....	11
14.Related Documents	11



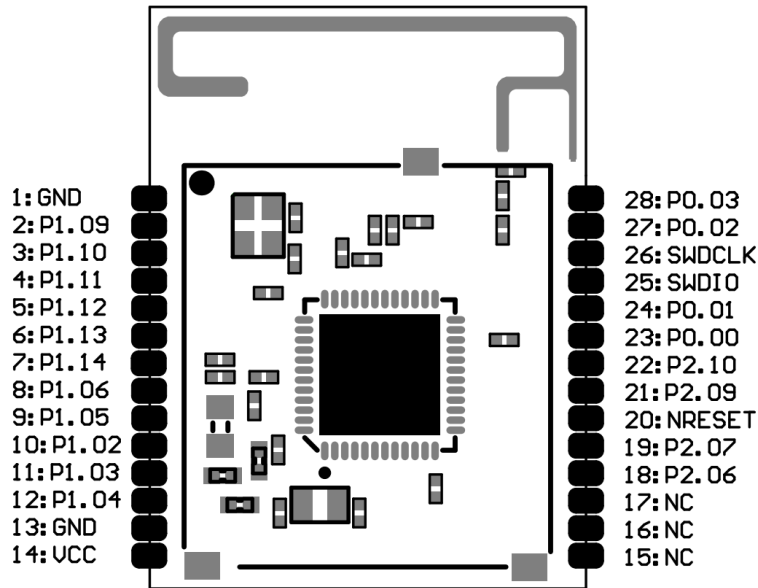
1 BLOCK DIAGRAM



2 ELECTRICAL SPECIFICATION

Parameter	Values	Notes
Working Voltage	1.7V-3.6V	To ensure RF work, supply voltage suggest not lower than 2.3V
Working Temperature	-40 C ~ +105 C	Operating temperature from -40°C to 105°C
Transmission Power	-46 ~ +8dBm	Configurable
Current(RX)	3.2mA	RF receiving current under 1Mbps pattern
Current(TX)	5mA	RF transmission current under 0dB pattern
Module Dimension	23.2*17.4*2mm	
Quantity of IO Port	19	

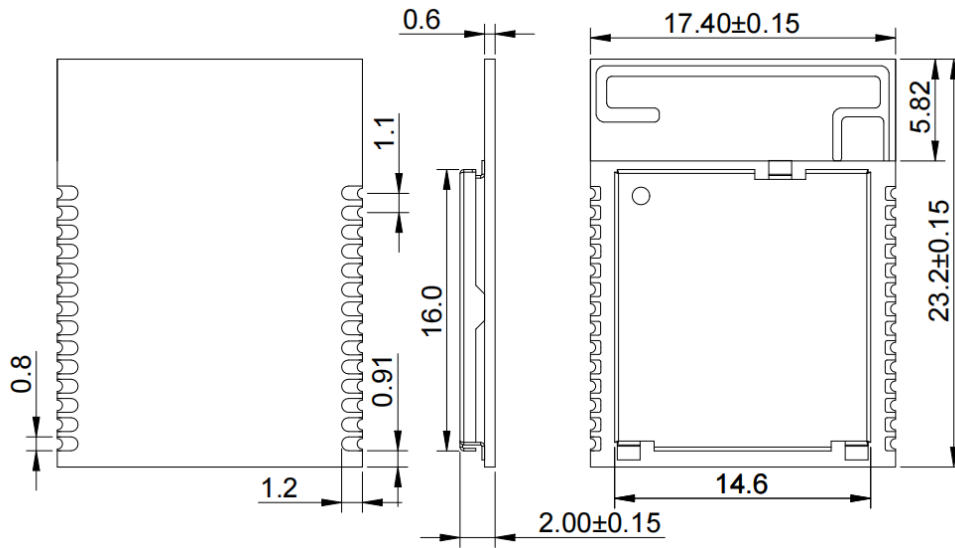
3 PIN DESCRIPTION



4 PIN DEFINITION

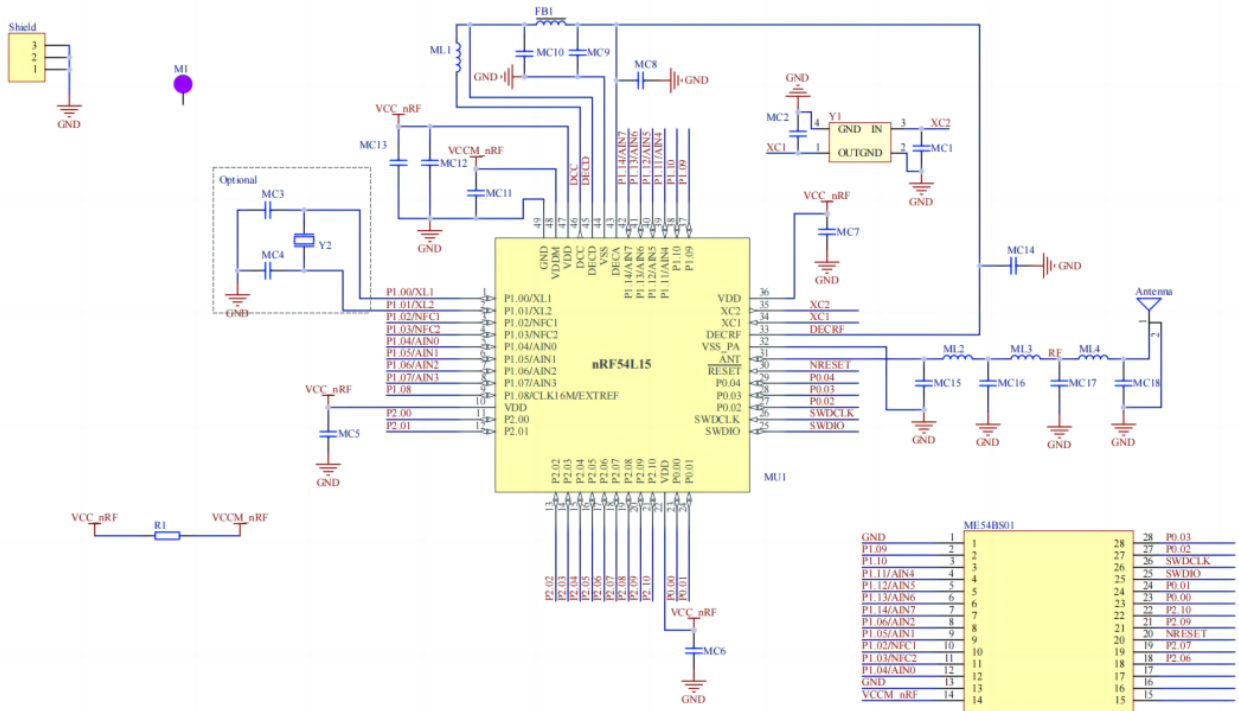
Pin Number	Symbol	Type	Definition
1/13	GND	GND	GND
2-12	P1.02-P1.06/ P1.09-P1.14	I/O	General IO Port
14	VCC	VCC	Power supply, default 1.8V-3.6V
15-17	NC	NC	Empty pins
18-19	P2.06/P2.07	I/O	General IO Port
20	NRESET	Reset pin	Reset
21-24	P2.03-P2.10/ P0.00-P0.01	I/O	General IO Port
25/26	SWDIO/SWDCLK	Burn Pins	Programming pin, when programming, just connect the power supply pin, ground, and these two pins
27-28	P0.02-P0.03	I/O	General IO Port

5 MECHANICAL DRAWING



Default unit: mm Default tolerance: ±0.15


6 ELECTRICAL SCHEMATIC



Notice: Before placing an order, please confirm the specific configuration required with the salesperson.

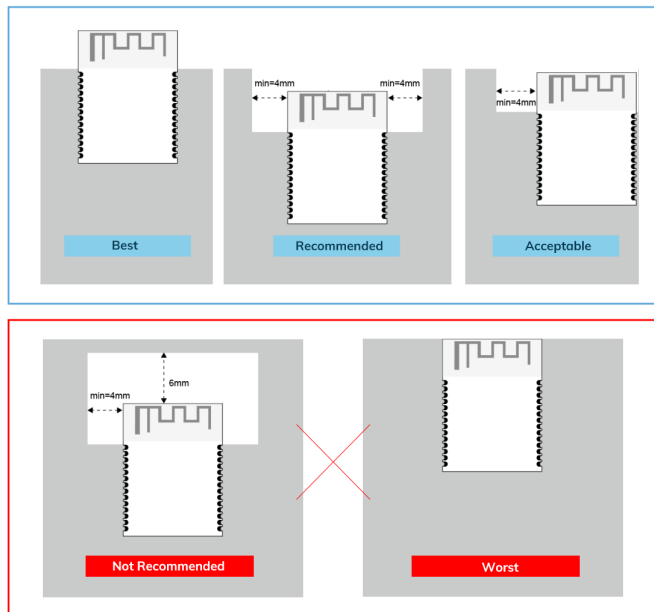
7 PCB LAYOUT

There should be no GND plane or metal cross wiring in the module antenna area, and components should not be placed nearby. It is best to make a hollow or clear area, or place it on the edge of the PCB board.

 Notice: Refer to examples as below, and highly suggest to use the first design and the adjustment of modules antenna design according to the first wiring.

Layout Notes :

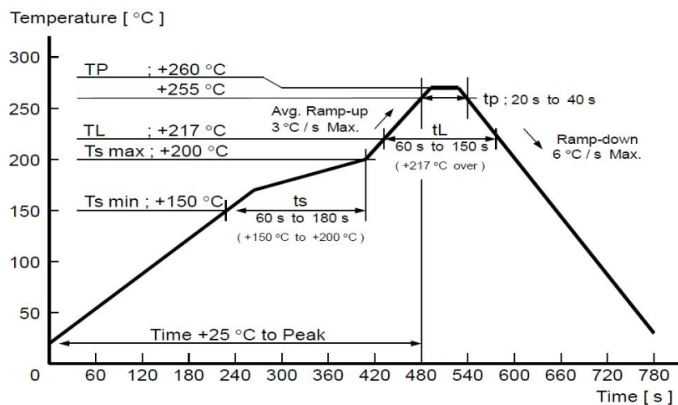
- 1) Preferred Module antenna area completely clearance and not be prevented by metals, otherwise it will influence antenna's effect (as above DWG. indication).
- 2) Cover the external part of module antenna area with copper as far as possible to reduce the main board's signal cable and other disturbing.
- 3) It is preferred to have a clearance area of 4 square meter or more area around the module antenna (including the shell) to reduce the influence to antenna.
- 4) Device should be grounded well to reduce the parasitic inductance.
- 5) Do not cover copper under module's antenna in order to avoid affect signal radiation or lead to transmission distance affected.
- 6) Antenna should keep far from other circuits to prevent radiation efficiency reduction or affects the normal operation of other lines.
- 7) Module should be placed on edge of circuit board and keep a distance away from other circuits.
- 8) Suggesting to use magnetic beads to insulate module's access power supply.



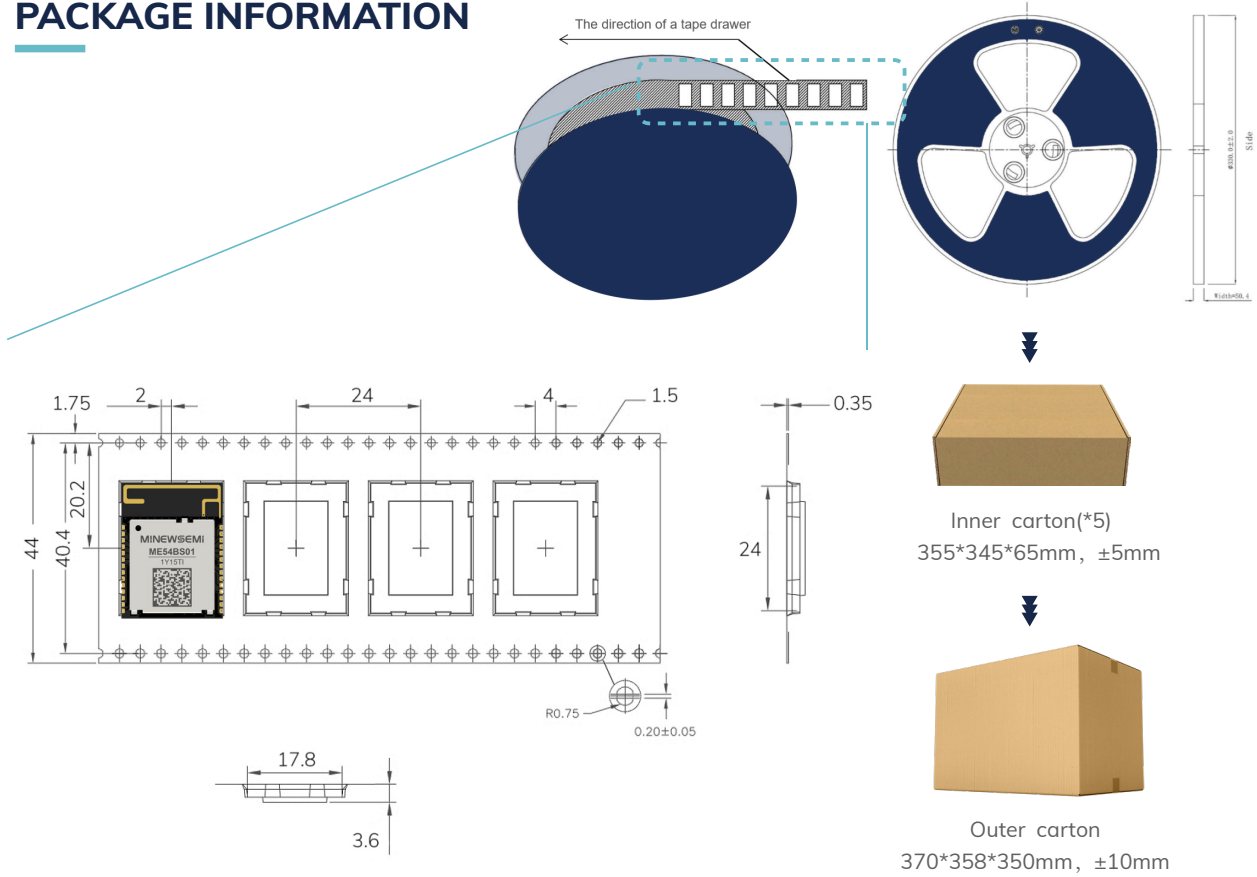
8 REFLOW AND SOLDERING

1) Do SMT according to above reflow oven temperature deal curve. Max. Temperature is 260°C; Refer to IPC/JEDEC standard; Peak TEMP<260°C; Times: ≤2 times, suggest only do once reflow soldering on module surface in case of SMT double pad involved. Contact us if special crafts involved.

- 2) Suggesting to make 0.2mm thickness of module SMT for partial ladder steel mesh, then make the opening extend 0.8mm
- 3) After unsealing, it cannot be used up at one time, should be vacuumed for storage, couldn't be exposed in the air for long time. Please avoid getting damp and soldering-pan oxidizing. If there are 7 to 30 days interval before using online SMT, suggest to bake at 65-70 °C for 24 hours without disassembling the tape.
- 4) Before using SMT, please adopt ESD protection measure.

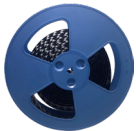


9 PACKAGE INFORMATION

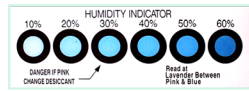


Remarks

General material list for FCL packaging:



Carrier tape packaging tray



Humidity Indicator (1 pcs/bag)



Desiccant (placed in a vacuum bag)



Vacuum bag



Inner carton(*5)
355*345*65mm, ±5mm



Outer carton
370*358*350mm, ±10mm

Other:

Moisture-proof label (attached to the vacuum bag)

Certification label (attached to the vacuum bag)

Outer box label

 Default unit: mm Default tolerance: ±0.1

Packing detail	Specification	Net weight	Gross weight	Dimension
ME54BS01	650PCS	682.5g	1478.5g	W=44mm, T=0.35mm

 Note: Default weight tolerance all are within 10g (except the special notes)

10 STORAGE CONDITIONS

- **Please use this product within 6 months after signing the receipt.**
 - This product should be stored without opening the package at an ambient temperature of 5~35°C and a humidity of 20~70%RH.
 - This product should be left for more than 6 months after receipt and should be confirmed before use.
 - The product must be stored in a non-corrosive gas (Cl₂, NH₃, SO₂, NO_x, etc.).
 - To avoid damaging the packaging material, do not apply any excessive mechanical shocks, including but not limited to sharp objects adhering to the packaging material and product dropping.
- **This product is suitable for MSL2 (based on JEDEC standard J-STD-020).**
 - After opening the package, the product must be stored at ≤30°C/<60%RH. It is recommended to use the product within 3-6 months after opening the package.
 - When the color of the indicator in the package changes, the product should be baked before welding.
- **Baking is not required for one year if exposure is limited to <30°C and 60%RH. Refer to MSL2 for exposure criteria for moisture sensitivity level. If exposed to (≥168h@85°C/60%RH) conditions or stored for more than one year, recommended baking conditions.**
 1. 120 +5/-5°C, 8 hours, 1 timeProducts must be baked individually on heat-resistant trays because the materials (base tape, reel tape, and cover tape) are not heat-resistant, and the packaging material may be deformed at temperatures of 120°C;
 2. 90°C +8/-0°C, 24hours, 1timesThe base tape can be baked together with the product at this temperature. Please pay attention to the uniformity of heat.

11 HANDLING CONDITIONS

- Be careful in handling or transporting products because excessive stress or mechanical shock may break products.
- Handle with care if products may have cracks or damages on their terminals. If there is any such damage, the characteristics of products may change. Do not touch products with bare hands that may result in poor solder ability and destroy by static electrical charge.

12 QUALITY

Cognizant of our commitment to quality, we operate our own factory equipped with state-of-the-art production facilities and a meticulous quality management system. We hold certifications for ISO9001, ISO14001, ISO27001, OHSAS18001, BSCI.

Every product undergoes stringent testing, including transmit power, sensitivity, power consumption, stability, and aging tests. Our fully automated module production line is now in full operation, boasting a production capacity in the millions, capable of meeting high-volume production demands.

13 COPYRIGHT STATEMENT

This manual and all the contents contained in it are owned by Shenzhen Minewsemi Co., Ltd. and are protected by Chinese laws and applicable international conventions related to copyright laws.

The certified trademarks included in this product and related documents have been licensed for use by MinewSemi. This includes but is not limited to certifications such as BQB, RoHS, REACH, CE, FCC, BQB, IC, SRRC, TELEC, WPC, RCM, WEEE, etc. The respective textual trademarks and logos belong to their respective owners. For example, the Bluetooth® textual trademark and logo are owned by Bluetooth SIG, Inc. Other trademarks and trade names are those of their respective owners. Due to the small size of the module product, the "®" symbol is omitted from the Bluetooth Primary Trademarks information in compliance with regulations.

The company has the right to change the content of this manual according to the technological development, and the revised version will not be notified otherwise. Without the written permission and authorization of the company, any individual, company, or organization shall not modify the contents of this manual or use part or all of the contents of this manual in other ways. Violators will be held accountable in accordance with the law.

14 RELATED DOCUMENTS

- [MinewSemi_Product_Naming_Reference_Manual_V1.0](https://en.minewsemi.com/file/MinewSemi_Product_Naming_Reference_Manual_V1.0)
https://en.minewsemi.com/file/MinewSemi_Product_Naming_Reference_Manual_EN.pdf
- [MinewSemi_Connectivity_Module_Catalogue](https://en.minewsemi.com/file/MinewSemi_Connectivity_Module_Catalogue)
https://en.minewsemi.com/file/MinewSemi_Connectivity_Module_Catalogue_EN.pdf



For product change notifications and regular updates of Minewsemi documentation, please register on our website: www.minewsemi.com

MINEWSEMI



SHENZHEN MINEWSEMI CO., LTD.

-  0086-755-2801 0353
-  <https://minewsemi.com>
-  minewsemi@minew.com
-  <https://store.minewsemi.com>
-  No.8, Qinglong Road, Longhua District, Shenzhen, China